

# BigDog T2000

Automated Slurry Waste Management Machine



## OPERATION MANUAL

  
**Slurry Solutions  
Australia**  
Preserving our ecosystem, one job at a time

## Introduction

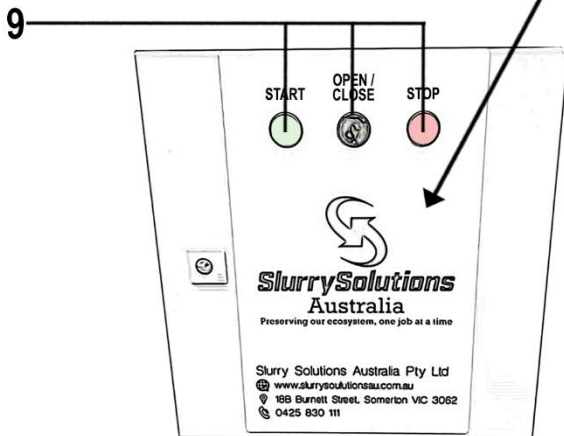
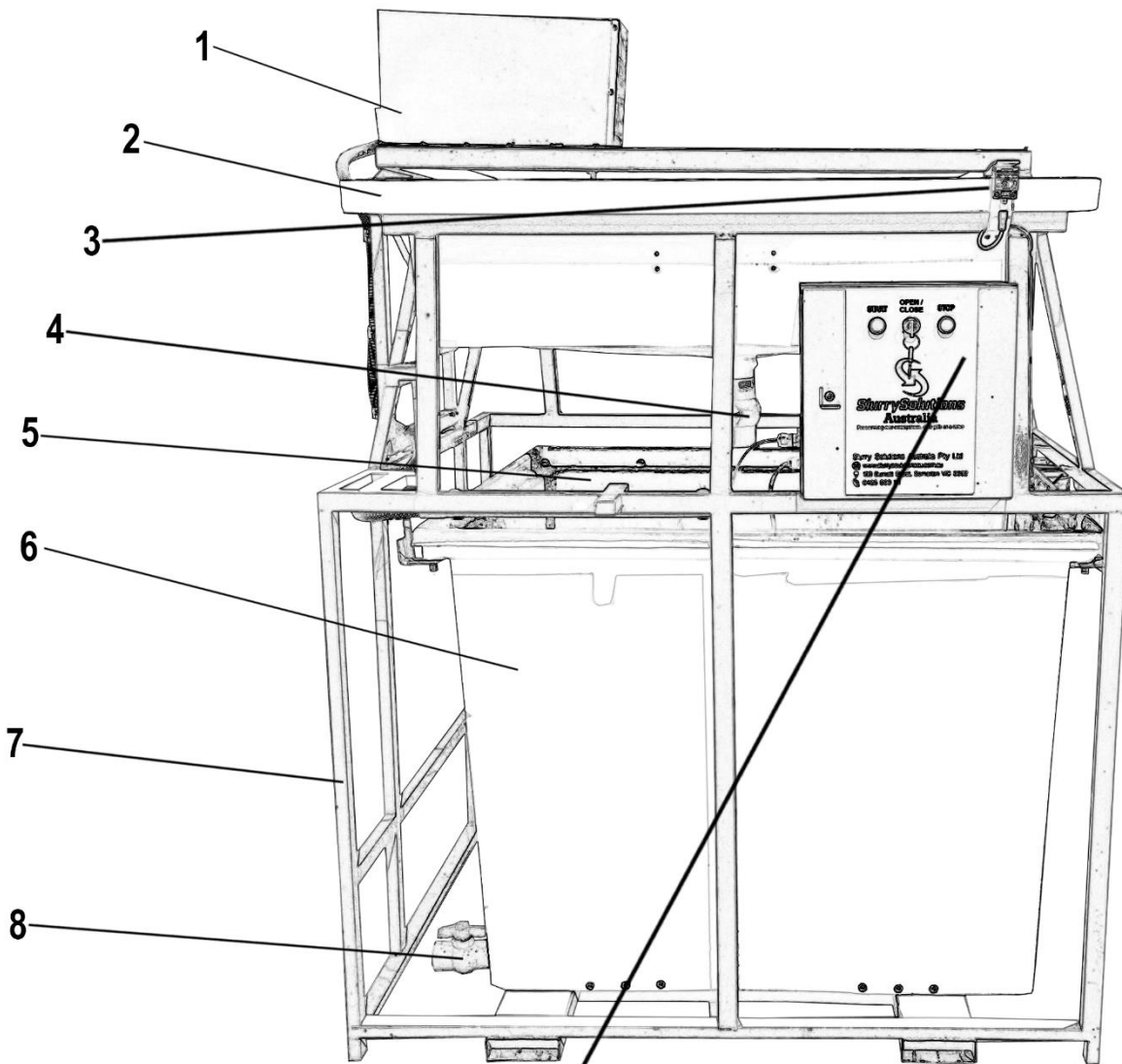
This manual gives you the information you need to inspect, commission and operate this machine. Please contact your distributor in the event of any problems when commissioning or using.

Slurry Solutions Australia is not responsible in any way for any consequences whether direct or indirect, that arises as a result of the machine being used in a way that contradicts these instructions.

- Although all possible measures have been taken to ensure the accuracy and completeness of the information contained in this manual, Slurry Solutions Australia does not accept any responsibility or liabilities for errors or missing information
- Slurry Solution Australia reserves the right to alter descriptions in this manual without prior notice.

## Safety Instructions

- Ensure the machine is disconnected from the power source and empty any water before moving or transporting the machine.
- Visually inspect the machine daily to ensure leads, mixer, tubs and mixing paddle have not been damaged, torn or punctured.
- This machine may only be operated, repaired or handled by personnel who have the required training and have read this manual.
- Ensure power supply is plugged into an RCD protected Socket Outlet.
- Lift and transport the machine using only intended lifting points and straps when lifting dewatering bag.
- Only use this machine on a level surface.
- Only use approved Slurry Solutions products and accessories with this machine.
- All service and repair to be carried out by an authorised repairer only.
- Ensure there is a solid, safe and stable platform when manually emptying slurry waste or cleaning tools into the top hat lid.



1. Mixer
2. Access Point (Top-Hat Lid)
3. Hinged Lid Safety Contact
4. Drain Ball Valve (Discharge Outlet Release)
5. De-Watering Bag
6. Water Catchment Bin (Crosslinked Polyethylene Heavy Duty Industrial Plastic)
7. Galvanised Metal Tube Frame, Powder Coated (Safety Yellow)
8. Ball Tap Valve (Water Outlet Release)
9. Operator Control Station (Start / Stop / Open / Close)

# BigDog T2000

## Product Description (Tech Sheet)

### General Specifications

<b>Overall Size:</b>	Width: 1670mm, Length: 1330mm, Height: 2100mm
<b>Overall Weight:</b>	180kg
<b>Plastic Material:</b>	Cross linked polyethylene plastic, industrial strength, heavy duty
<b>Country of Origin:</b>	Australian made, Melbourne made, from local and imported materials



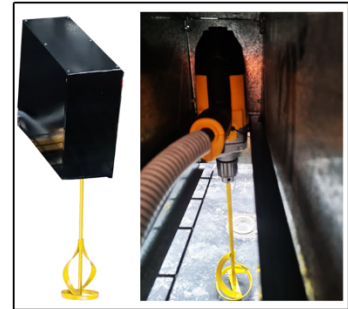
### Electrical Enclosure Start/Stop Station

<b>Electrical Supply:</b>	Single Phase 230v ac 10amp (i.e. Any Standard Powerpoint)
<b>Discharge valve:</b>	Extra low voltage +24 D/C ball valve
<b>IP66 Enclosure:</b>	IP rated as "dust tight" and protected against heavy seas or powerful jets of water
<b>Controller:</b>	Relay Control logic
<b>Built By:</b>	Austech electrical and automation licensed electrical contractors



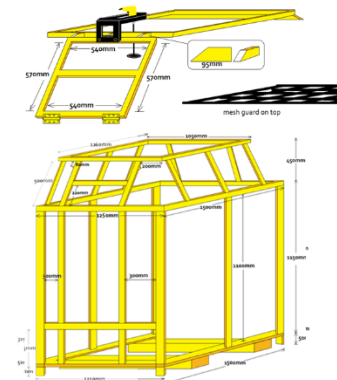
### Mixer Component

<b>Built By:</b>	DeWALT Australia
<b>Enclosure:</b>	Robust design and metal gear enclosure for greater durability
<b>No-Load Speed:</b>	0-550 RPM, provides increased torque for heavy duty mixing
<b>Torque:</b>	Maximum Torque = 50Nm
<b>Power Input:</b>	710 Watts
<b>Power Output:</b>	560 Watts



### Frame Specifications

<b>Frame Rectangle:</b>	Galvanized steel tube 38mmx15mm tig welded and Powder Coated (safety yellow)
<b>Struts:</b>	Goliath 325mm Length, and 150Nm pressure
<b>Hinges:</b>	Butt hinges 100mm length



## Operating Procedure

1. Ensure frame is positioned on a level surface.
2. Ensure dewatering bag is fitted in bin below; cable tie dewatering bag handles to points provided on catchment bin.
3. Before use, fill the top hat lid with clean water until the bottom of the mixing paddle is submerged in water.
4. Add one cup of SlurrySep floc to the water (approximately 250ml), and then press the start button to begin the mixing process. Allow between 1 to 2 minutes for mixing (pre floc mix); then press stop to cease mixing.
5. Add slurry waste into the top hat lid, ensuring you allow 1 to 2 minutes of mixing after every use.
6. Once the top hat lid is filled half way, add another cup of SlurrySep floc to assist with the separation process.
7. Once the top had lid is full and the solids have settled to the bottom of the top hat lid; open the drain ball valve to discharge the treated water into the de-watering bag below.
8. The clean water will filter out of the dewatering bag while the solids remain trapped in the bag.
9. The clean water can then be drained by releasing the ball valve taps located on the bottom of the Big Dog T2000 for reuse, or compliant disposal.
10. Once finished with use or at the end of the day, rinse out the top hat lid and discharge the remaining wash out water into the de-watering bag below.
11. Changing dewatering bag
  1. Remove catchment bin from underneath of top hat lid using a forklift from allocated lifting point at the base of the bin.
  2. Cut cable ties to release dewatering bag handles.
  3. Using a forklift; lift dewatering bag out of bin using handles provided on bag.
  4. Dispose of dewatering bag compliantly; and replace with new bag.

## Slurry Treatment Cycle

After the prefloc mix is prepared and ready, washout of tools and slurry can now be discharged into top hat lid. Once full, the below treatment cycle can commence

**Step 1:** Press start button to begin mixing process add SlurrySep as required to assist with separation; this process can be as long as needed until solids settle to the bottom of top hat lid.

**Step 2:** After the mixing process is complete, press the stop button on the control panel to stop agitation. You may discharge the contents into the de-watering bag below, by opening the drain ball valve using the control panel.

**Step 3:** Process is now complete. You may open the ball valve taps on the bottom BigDog bin to begin draining clear treated water. Be sure to rinse down top hat lid after use or at the end of each day.

### Troubleshooting (Fault Finding)

#### No lights on panel

Check supply lead or outlet has power. If so, get licensed electrician to open panel and check if C/B have tripped or, in affect call service department listed on plaques.

#### Cycle finished but waste remains in the Lid

If after cleaning there is remaining product in the Lid, leave drain valve open and simply rinse down any leftover product to the bin below.

#### Cycle interrupted (lost power, or the STOP button was pressed)

If the STOP button is pressed, or the power has been lost mid cycle for any reason, just press the START button to restart the process. However, if mixing time was completed, simply discharge the waste product into the BigDog bin.

#### Power light on, but mixing will not start

The hinged door most likely has not been properly closed. If the hinged door is not completely closed, the safety switch will cut power to the mixer to protect the user. Check to ensure the hinged door is completely closed correctly.

#### Manual override for discharge outlet release (in the event of power loss)

- On the valve there is a knob on one side and a metal lug on the opposite side.
- Press the metal lug in until you hear a click or can't press further.
- Then you will be able to manually turn the knob on the valve to open and close.
- Once finished pull out the metal lug to original position for use automatically.

**For Service & Breakdown: AUS-TECH Electric & Automation: (03) 9311 5311**

